

2.3" Four-Digit Flush Mount Clock

DC-25F

DC-Digital™ Clocks
The True Two Wire System



Features

- Steel case
- Only two wires required
- Surface or flush mount*
- Low voltage operation
- 5-year warranty (clock only)
- 2.3" super bright display
- Patented clock design
- 24 or 120 volt AC operation

Specifications

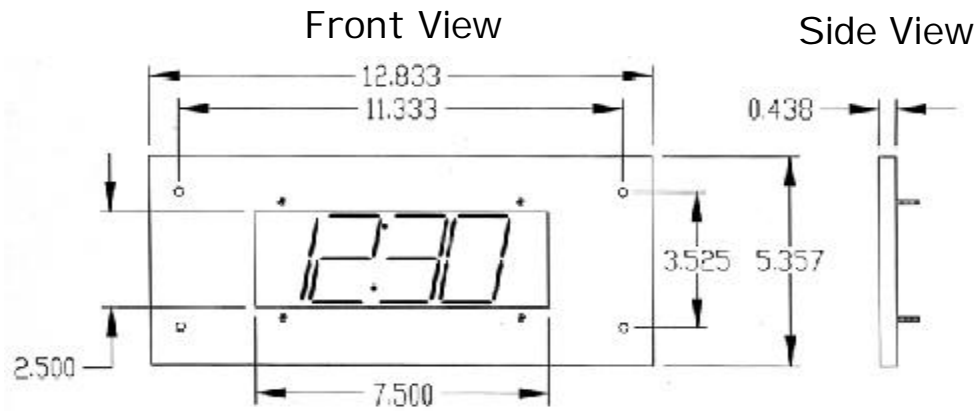
- Display Four digit; seven segment; red or green LED display
- Case Steel; 12.83" W x 5.35" H x .43" D face plate only
- Weight 2 pounds unpackaged face plate only
- PowerSource DC-25F 24VDC at 150mA
DC-25F 24VAC 60HZ at 150mA
AC-25AF 120VAC 60HZ at 60mA
- Operating Temp. 0° to 49° Celsius (32° to 120° Fahrenheit)
- Case Finish Black powder coating
- Cabling Two wires
- Options Back box enclosures surface or flush

DC-Digital Flush Mount Clock Description

The DC-Digital Flush Mount Clock is designed for new and existing clock installations. This flexible design allows either surface or flush mount time keeping, in one convenient and simple design.

*Note: This unit is shown with the optional flush mount back box.

DC-Digital DC-25F Flush Clock Dimensions



Flush Clock Back Box Design (Flush Mount)

